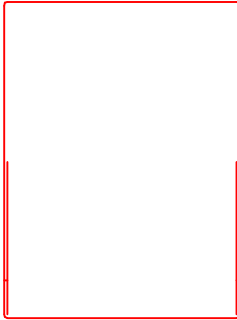


Stewart Connector

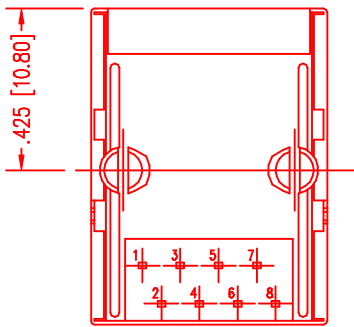
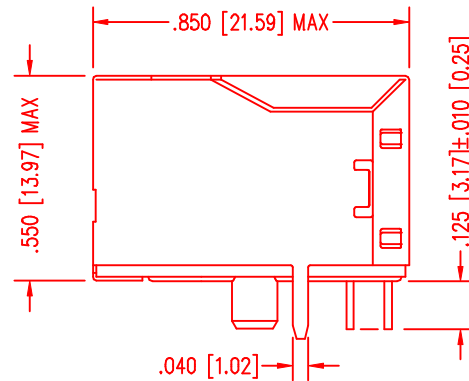
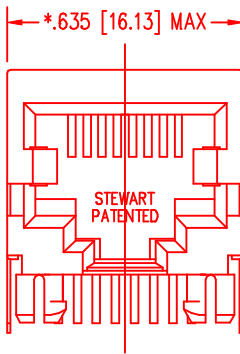
11118 Susquehanna Trail South
 Glen Rock, PA 17327-9199
 (717) 235-7512 Fax: (717) 235-7954

REV.	REVISION CHANGES
A1	NEW FORMAT

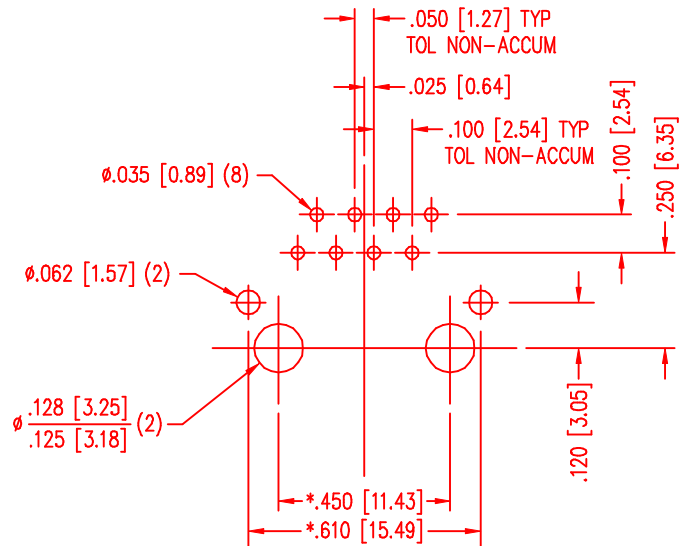


PART NO. SS-7188S-A-NF (30 uIN GOLD)
 PART NO. SS-7188S-A-NF-50 (50 uIN GOLD)

CAT 5 JACK
 EIGHT CONTACT, EIGHT POSITION, SHIELDED JACK
 NF- NON-FLANGE



PIN POSITION LAYOUT IS IDENTICAL TO STANDARD JACKS



P.C.B. RECOMMENDED HOLE LAYOUT
 SEEN FROM COMPONENT SIDE
 TOLERANCE ±.003 [0.08] UNLESS OTHERWISE SPECIFIED

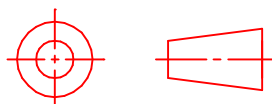
- NOTE:
- MEETS CATEGORY 5 PERFORMANCE SPECIFICATION AS TESTED PER EIA/TIA 568A.
 - TOLERANCE COMPLY WITH F.C.C. DIMENSION REQUIREMENTS ALL OTHERS ±.005 [0.13] UNLESS OTHERWISE SPECIFIED.
 - DIMENSIONS SHOWN WITH "*" TO BE CENTRAL ABOUT CENTER LINE

AVAILABLE WITH:
 - LOADED 1 - 8 CONTACTS

CT710001

SHT. 1 OF 1

THIRD ANGLE PROJECTION



THIS DRAWING AND THE SUBJECT MATTER SHOWN THEREON ARE CONFIDENTIAL AND THE PROPRIETARY PROPERTY OF STEWART CONNECTOR ("SCS") AND SHALL NOT BE REPRODUCED, COPIED OR USED IN ANY MANNER WITHOUT PRIOR WRITTEN CONSENT OF "SCS". THE SUBJECT MATTER MAY BE PATENTED OR A PATENT MAY BE PENDING. © SCS