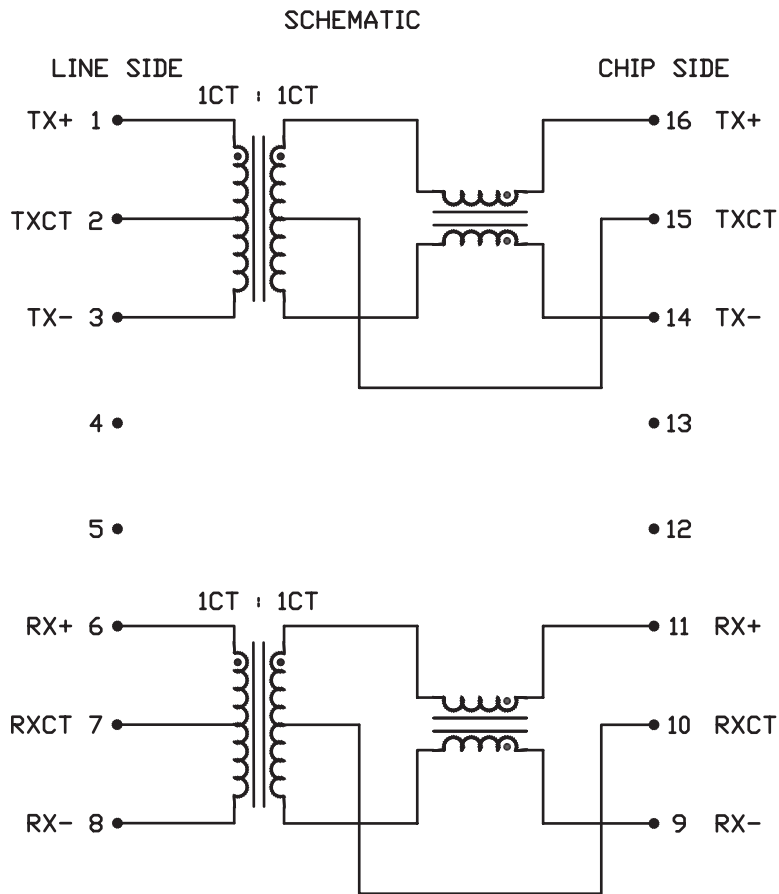


# 10/100BASE-T LAN MAGNETICS

## S558-5999-U7-F Single Port Transformer Module



### ELECTRICAL CHARACTERISTICS @ 25°C



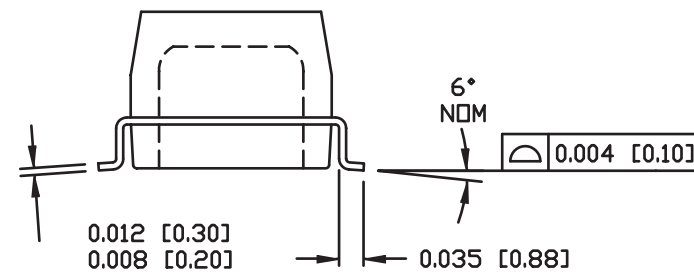
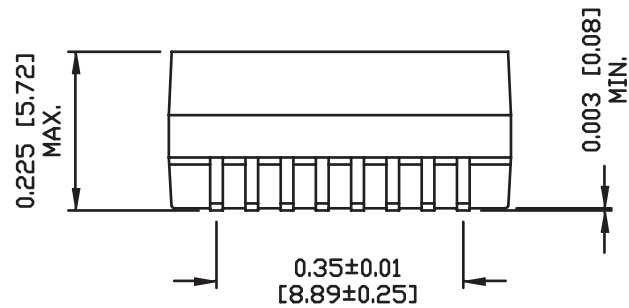
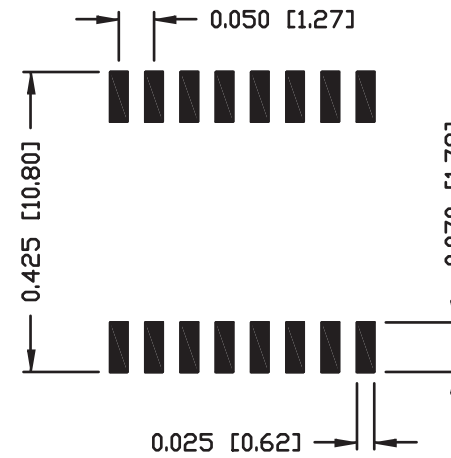
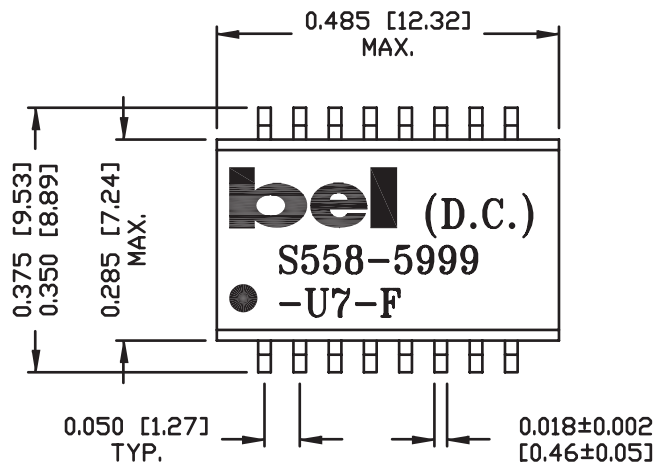
<p> <b>URNS RATIO</b>                  PIN 1-2-3 : 16-15-14                  PIN 6-7-8 : 11-10-9  <b>DCL @ 100kHz, 100mVrms W/8mA DC BIAS</b>                  Tx PIN 1-3 OPEN 16-14                  Rx PIN 6-8 OPEN 11-9  <b>LEAKAGE INDUCTANCE</b>                  Tx PIN 1-3 SHORT 16-14                  Rx PIN 6-8 SHORT 11-9  <b>INTERWINDING CAPACITANCE</b>                  Tx PIN 1-3 TO 16-14                  Rx PIN 6-8 TO 11-9  <b>DCR</b>                  PIN (1-3) ; (6-8)  <b>INSERTION LOSS</b>                  100 kHz TO 80 MHz  <b>RETURN LOSS</b>                  100 kHz - 30 MHz                  30 MHz -60 MHz                  60 MHz - 80 MHz  <b>COMMON TO COMMON MODE REJ.</b>                  100 kHz - 100 MHz  <b>COMMON TO DIFFERENTIAL MODE REJ.</b>                  100 kHz - 100 MHz  <b>CROSSTALK</b>                  100 kHz - 100 MHz  <b>HIPOT</b> </p>	<p>                 1CT : 1CT                  1CT : 1CT                  350 <math>\mu</math>H MIN.                   0.30 <math>\mu</math>H MAX.                   30 pF MAX.                   1.1 <math>\Omega</math>m MAX.                  1.0 dB MAX.                   18 dB MIN.                  18-20 LOG (F/30MHz) MIN.                  12 dB MIN.                  40 dB TYP.                   40 dB MIN.                   40 dB MIN.                   PER HAND-WORK-03             </p>
--	---

# 10/100BASE-T LAN MAGNETICS

## S558-5999-U7-F Single Port Transformer Module



### SUGGESTED PCB PAD LAYOUT



#### NOTES:

1. STANDARD MARKING REFER TO DOC. HAND-WORK-04.
2. PACKAGE CODE: "QBS001".