

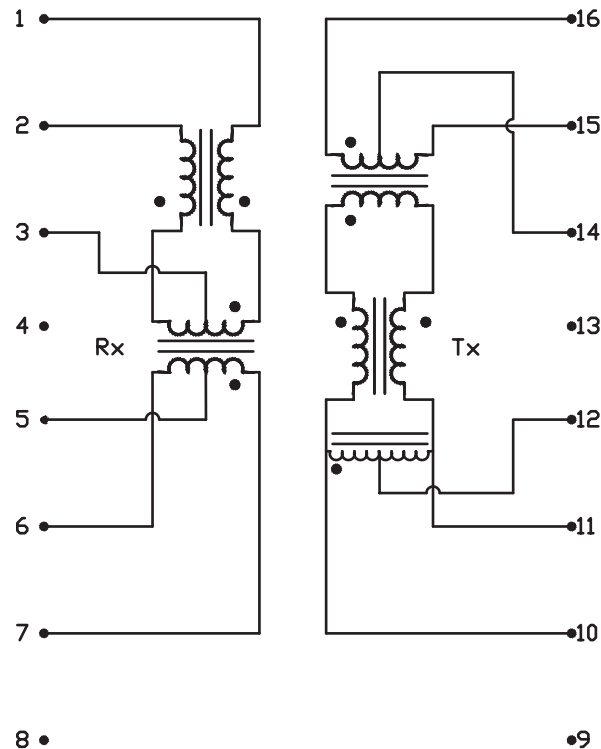
# 10/100BASE-T LAN MAGNETICS

## S558-5999-46-F Single Port Transformer Module



### ELECTRICAL CHARACTERISTICS @ 25°C

#### SCHEMATIC



#### URNS RATIO

(1-3-2) : (7-5-6)  
(16-14-15) : (10-12-11)

1CT : 1CT  
1CT : 1CT

#### PHASING

1 TO 7 AND 16 TO 10 IN PHASE

#### DCL

(7-6) OPEN 1 & 2  
(10-11) OPEN 16 & 15

420uH MIN. AT 100kHz, 100mV  
WITH 8mA DC BIAS

#### INSERTION LOSS

1.0dB MAX AT 100kHz TO 80MHz

#### RETURN LOSS

MEASURED UNDER A 100  $\Omega$   
ENVIRONMENT (16-15) TO (10-11)  
(6-7) TO (1-2)

FREQ	2MHz	10MHz	30MHz	45MHz	60MHz	80MHz
MIN.	20dB	20dB	19dB	16dB	13dB	12dB

#### RETURN LOSS

MEASURED UNDER 25 AND 100  $\Omega$   
IMPEDANCE ENVIRONMENT ACROSS  
(16-14) AND (10-11)  
RESPECTIVELY

17dB MIN AT 5MHz & 10MHz

#### CMDR

40dB MIN AT 100kHz TO 50MHz  
30dB MIN ABOVE 50M TO 100MHz

#### CROSSTALK

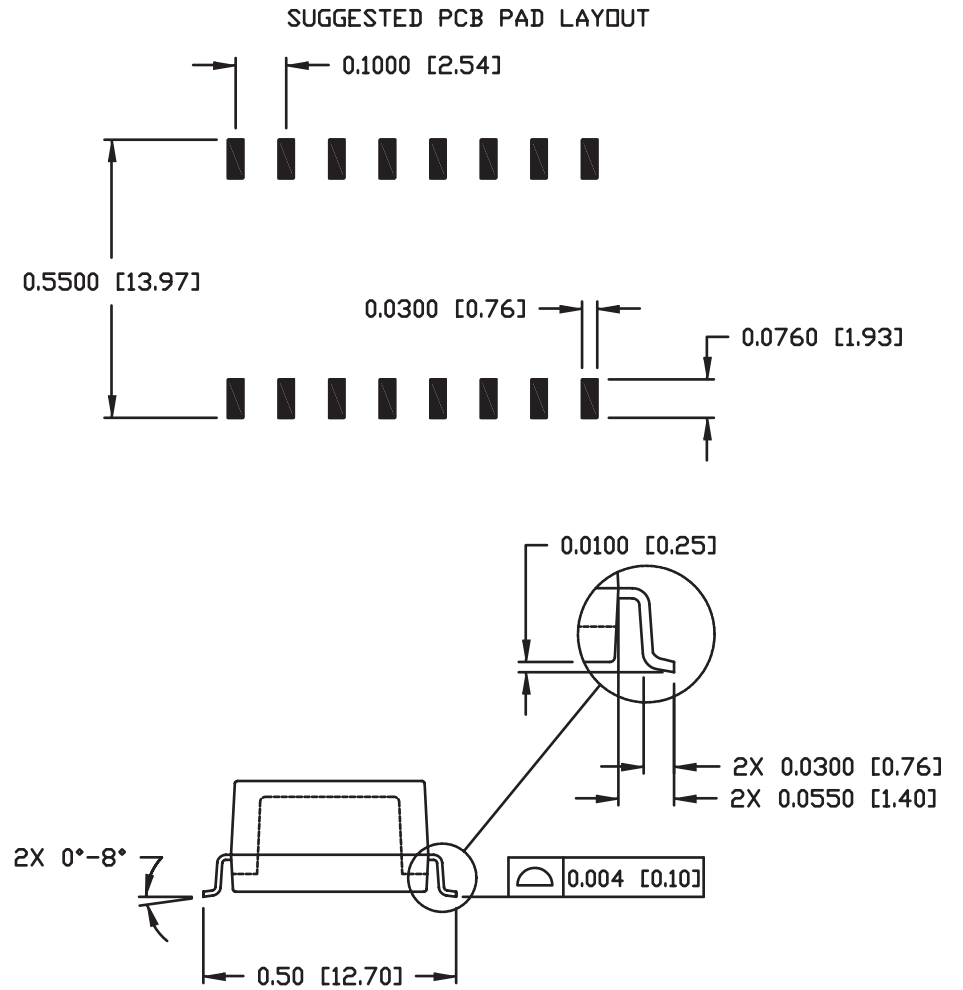
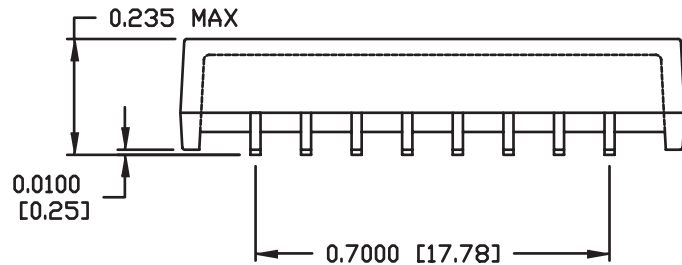
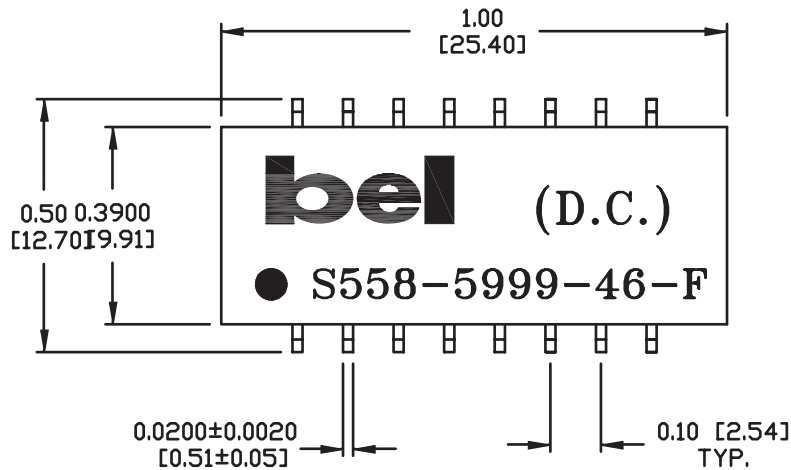
30dB MIN AT 100kHz TO 100MHz

#### HIPOT

PER HAND-WORK-03

# 10/100BASE-T LAN MAGNETICS

## S558-5999-46-F Single Port Transformer Module



**NOTES:**

- STANDARD MARKING REFER TO DOC. HAND-WORK-04.
- PACKAGE CODE: "RNS001".