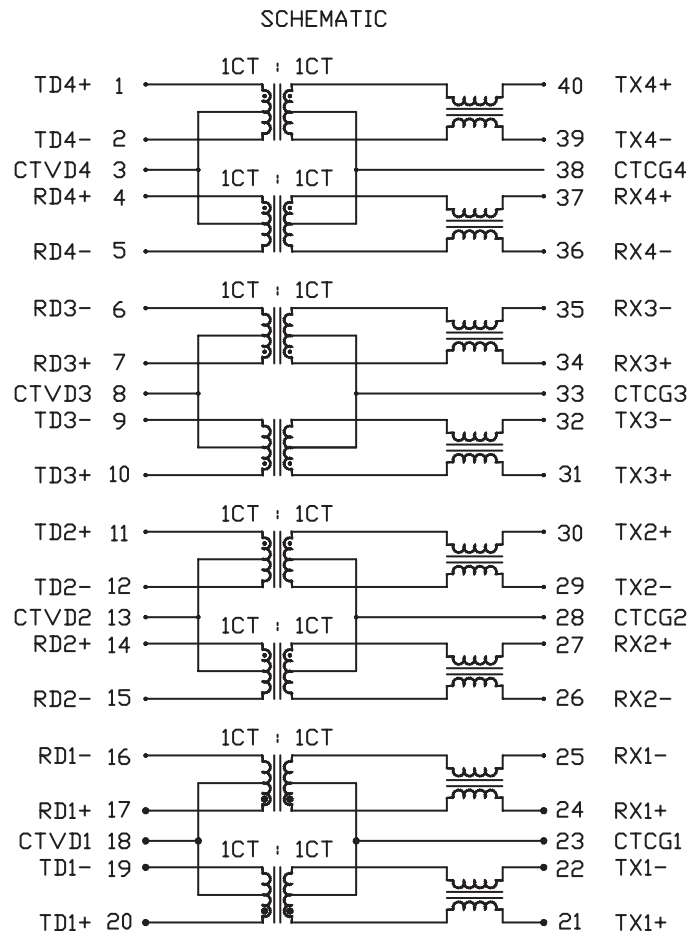


10/100BASE-T LAN MAGNETICS

S558-5999-Q9-F Transformer Module for Auto MDIX



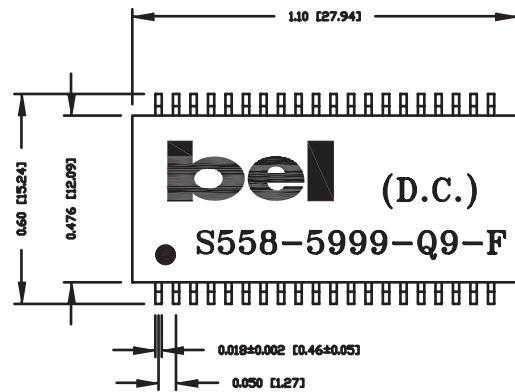
ELECTRICAL CHARACTERISTICS @ 25°C



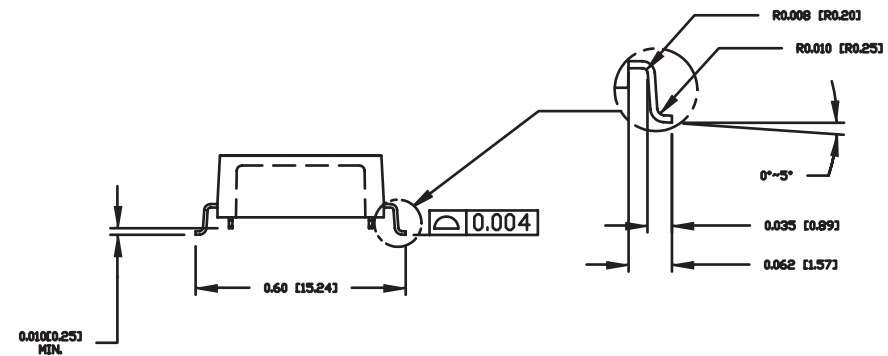
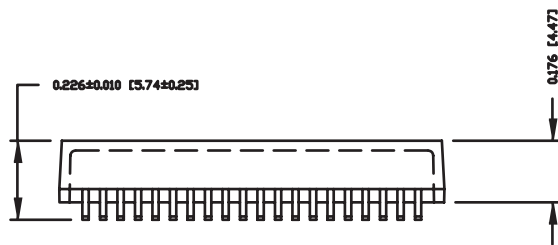
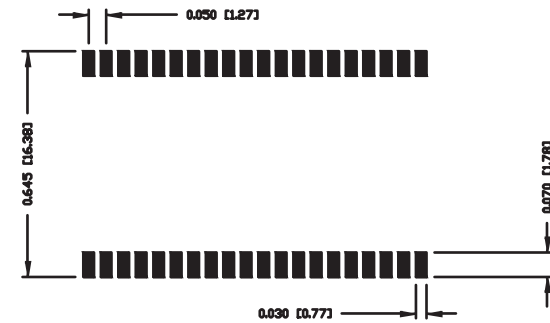
<p> URNS RATIO Tx SIDE: 1CT : 1CT Rx SIDE: 1CT : 1CT </p> <p> POLARITY : Rx 4°&37°, 7°&34°, 14°&27°, 17°&24° Tx 1°&40°, 10°&31°, 11°&30°, 20°&21° IN PHASE </p> <p> DCL 350μH MIN. @ 100kHz, 100mV WITH 8mA D.C. BIAS. </p> <p> INSERTION LOSS @ 100kHz - 80MHz 1.0 dB MAX </p> <p> RETURN LOSS MEASURED UNDER A 100 Ω ENVIRONMENT </p> <p> COMMON TO DIFFERENTIAL MODE REJECTION @ 0.1MHz TO 100MHz 40 dB MIN. </p> <p> COMMON TO COMMON MODE REJECTION @ 0.1MHz TO 100MHz 35 dB MIN. @ 100MHz TO 500MHz 20 dB MIN. </p> <p> CROSSTALK @ 0.1MHz TO 100MHz 32 dB MIN. </p> <p> HIPOT PER HAND-WORK-03 </p>	<p> @ 0.1MHz - 30MHz 18 dB MIN. @ 30MHz - 60MHz 18-20 LOG(f/30MHz) @ 60MHz - 80MHz 12 dB MIN. </p>
--	--

10/100BASE-T LAN MAGNETICS

S558-5999-Q9-F Transformer Module for Auto MDIX



SUGGESTED PCB PAD LAYOUT



NOTES:

1. STANDARD MARKING REFER TO DOC. HAND-WORK-04.
2. PACKAGE CODE: "RRS001".