

INTEGRATED CONNECTOR MODULES

10/100Base-TX AutoMDIX MagJack® with Ultra-Bright LEDs

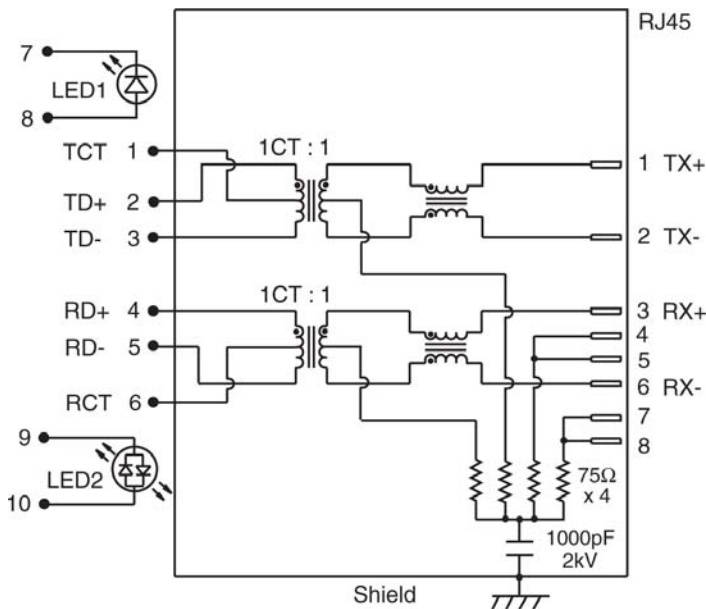


- Single port, shielded RJ 45 connector with integrated 10/100 magnetics
- Operating temperature: 0° to +70° C (32° to +158° F)
- Storage temperature: -40° to +85° C (-40° to +185° F)
- Design supports AutoMDIX applications
- Complies with IEEE standards and all 10/100 Ethernet specifications including 350µH with 8mA DC bias
- Minimum interwinding breakdown voltage of 1500 Vrms

ELECTRICAL SPECIFICATIONS AT 25° C (77° F)

Insertion Loss dB max	Return Loss dB min			Common to Differential Mode Rejection dB min	Common to Common Mode Rejection dB min	Crosstalk dB min			
	1MHz to 100MHz	1MHz to 30MHz	30MHz to 60MHz			60MHz to 80MHz	1MHz	30MHz	50MHz
-1.0	-18	18 - 20 log (f/30MHz)	-12	-40	-30	-70	-45	-40	-35

SCHEMATIC



Part #	LEFT LED (LED 2)		RIGHT LED (LED 1)	
08B0-1A1T-06-F1	Green		Yellow	
08B0-1B1T-06-F1	Green	Orange	Green	Orange
08B0-1C1T-06-F1	Green	Yellow	Green	Yellow
08B0-1D1T-06-F1	Yellow		Green	
08B0-1G1T-06-F1	Green		Green	
08B0-1K1T-06-F1	Green	Yellow	Green	
08B0-1L1T-06-F1	Green		Green	Yellow
08B0-1X1T-06-F1	Green	Orange	Yellow	
08B0-151T-06-F1	Blue		Blue	
08B0-131T-06-F1	Blue	Yellow	Blue	Yellow
08B0-141T-06-F1	Green	Red	Green	Red

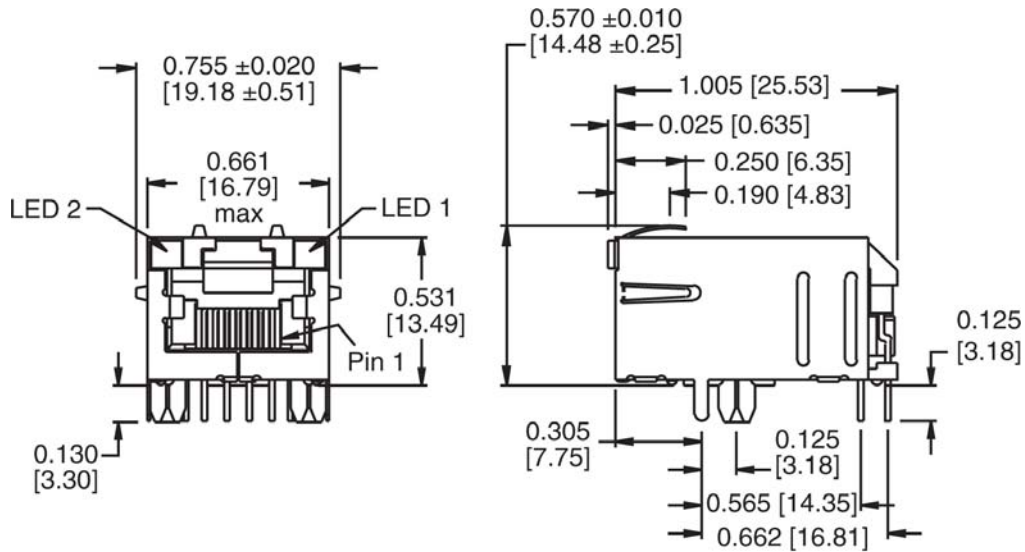


INTEGRATED CONNECTOR MODULES

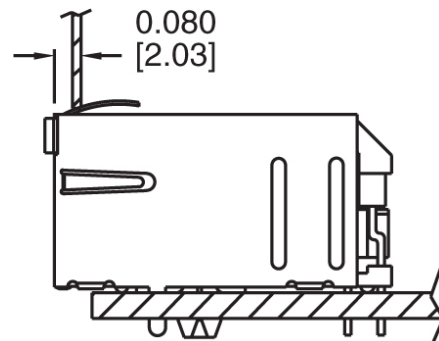
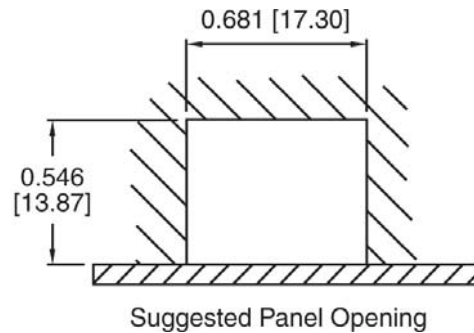
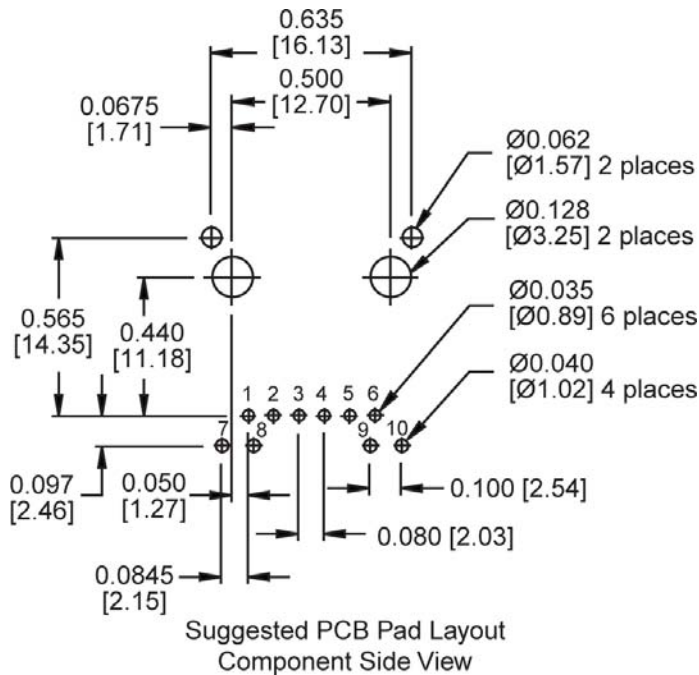
10/100Base-TX AutoMDIX MagJack® with Ultra-Bright LEDs



MECHANICAL



Dimensions are in inches [millimeters].
Standard dimension tolerance is ± 0.010 [0.25] unless otherwise noted.



NOTES

- Plastic Housing: Thermoplastic PBT
Flammability Rating UL 94V-0
- Contacts: 50 Micro-Inch Hard Gold Plating
- Output Pins: Tin-Coated Copper Wire, DIA 0.018 Inch
- Metal Shield: Pre-Plated Nickel on Copper Alloy
(Nickel Ground Leads Are Solder Dipped)
- UL Recognized - File #E196366 and E169987
- RoHS Compliance, per EU Directive 2002/95/EC